

Micro ducts

Micronet micro cable system



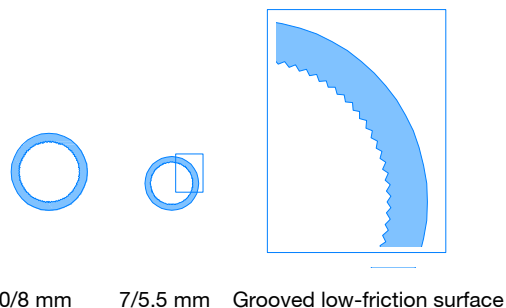
Application

Micro ducts are tubes with an inner low friction surface that enables air blown installation of fiber optic micro cables.

The micro ducts are intended for installation in existing cable ducts. This enables several sub-ducts to be installed in each cable duct. The sub-ducts can be used for installation of additional cables or be reserved for future upgrades of the network.

Designs

The micro ducts are available in two sizes with an outer/inner diameter of 10/8 mm respectively 7/5.5 mm. When selecting the right duct size, the number of micro ducts to be installed in a cable duct, cable type and maximum required installation lengths should be considered, see tables on next page.



10/8 mm 7/5.5 mm Grooved low-friction surface

Features

- Extremely low friction for maximum installation lengths
- Grooved inner surface for lowest possible friction during cable installation
- Excellent environmental properties

Typical data

Temperature range

Operation-40 to +60°C
 Storage-40 to +60°C
 Installation.....-20 to +50°C

Bending radius

Temporarily unloaded≥ 100 mm
 Permanently (one turn)
 and during installation≥ 100 mm

Tensile force

During installation≤ 420 N

Crush resistance.....≤ 250 N/100 mm

Material

Halogen free Yes

Delivery information

Supplied lengths 2100 m
 Drum diameter 1 m
 Weight, duct..... 27 kg/km

Cable type/ no. of fibers	Cable diameter (mm)	Recommended microduct, (mm)	
		10/8 mm	7/5,5 mm
Micronet® 4-24 f	4.0	x	x
Micronet® 36-72 f	5.2	x	-

Micro duct, type	Maximum distance, cable blowing* (m)
10/8 mm	2000

Duct, inner diameter	Maximum no. of micro ducts	
	7/5.5 mm	10/8 mm
25.4 mm	5	3
31.8 mm	10	5
38.1 mm	15	8
50.8 mm	20	10

* The maximum distance for installation by air blowing are typical values that can vary depending on installation routes and used installation equipment.

Ordering information

Microduct, outer/inner diameter 10/8 mm:

MPB 302 60/xx1

where xx indicates color code

Ordernumber	Diam (mm)	Color
MPB 302 60 / BU1	10/8	Blue
MPB 302 60 / OG1	10/8	Orange
MPB 302 60 / GN1	10/8	Green
MPB 302 60 / BN1	10/8	Brown
MPB 302 60 / GY1	10/8	Grey
MPB 302 60 / WH1	10/8	White
MPB 302 60 / RD1	10/8	Red

Microduct, outer/inner diameter 7/5.5 mm:

MPB 302 80/xx1

where xx indicates color code

Ordernumber	Diam (mm)	Color
MPB 302 80 / RD1	7/5.5	Red
MPB 302 80 / WH1	7/5.5	White
MPB 302 80 / BU1	7/5.5	Blue
MPB 302 80 / BK1	7/5.5	Black
MPB 302 80 / VT1	7/5.5	Violet
MPB 302 80 / TQ1	7/5.5	Turquoise
MPB 302 80 / GN1	7/5.5	Green
MPB 302 80 / OG1	7/5.5	Orange
MPB 302 80 / YE1	7/5.5	Yellow
MPB 302 80 / BN1	7/5.5	Brown
MPB 302 80 / PK1	7/5.5	Pink
MPB 302 80 / GY1	7/5.5	Grey