



MINI-LINK™ E Ethernet Interface Unit (ETU)

MINI-LINK E equipped with an Ethernet Interface Unit (ETU) provides a highly reliable, future-proof and easy-to-install solution for wireless LAN-to-LAN interconnection. It is a truly cost-effective alternative to expensive leased lines or other transmission solutions, considering aspects like fast start-up and flexibility. The transmission quality can be adapted to meet very high requirements by optimized choices of frequency (7-38 GHz), radio unit and antenna. For protection a 1+1 terminal configuration could be chosen.

A lot of applications are possible, particularly since voice and data can be transmitted over the same microwave link. A typical scenario is an enterprise with a branch office located at some distance from the main office.

LANs and PBXs at the different sites can be interconnected, making it possible to share resources such as common servers and Internet access.

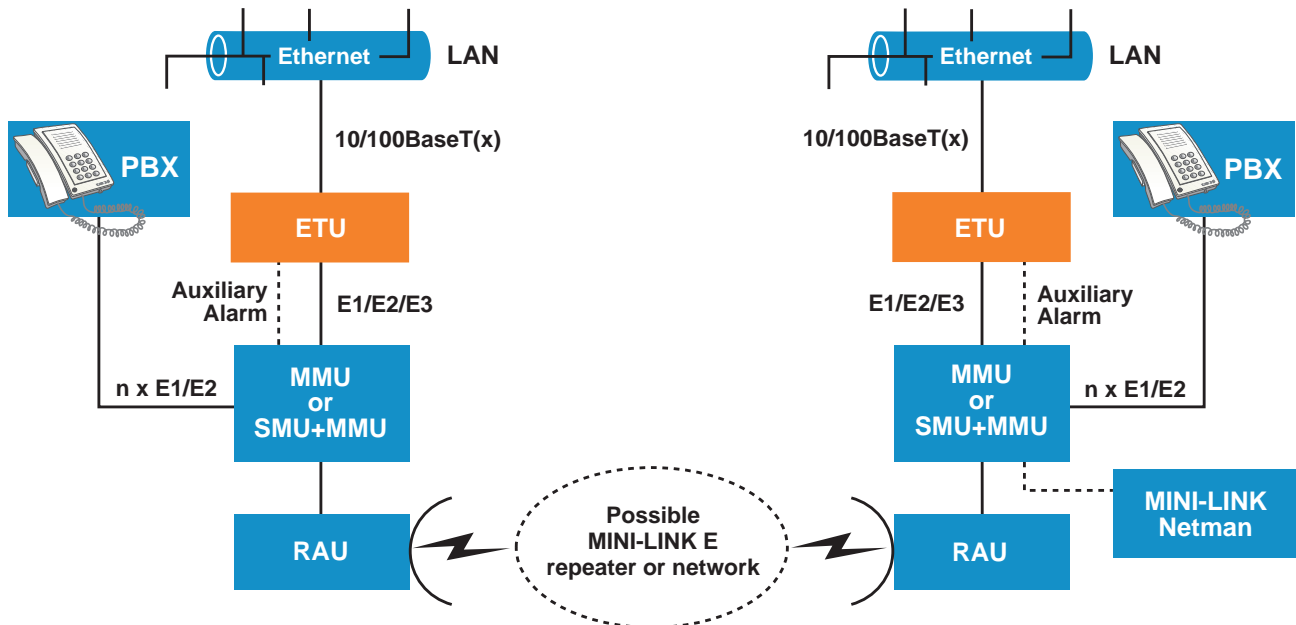
The ETU is a separate plug-in unit to be installed in an Access Module Magazine (AMM) together with other indoor units. It has one Ethernet interface (10/100BaseT(x)) for LAN connection and three G.703 interfaces (2/8/34 Mbit/s) for connection to a Modem Unit (MMU) or a Switch Multiplexer Unit (SMU).

The ETU supports transparency for VLAN tagged frames, full duplex Ethernet and auto-negotiation of the Ethernet interface.

Management

The quality of the traffic can be supervised using SNMP in-band management, since the ETU includes a MIB. MINI-LINK Netman or MSM can display an alarm from the ETU, if a connection is made to the Auxiliary Alarm input on the MMU.

The initial configuration of the unit is done locally from a simple PC-based terminal emulator connected to a V.24 interface. Using telnet for remote management is supported as well as remote software upgrade by means of TFTP transfer.



An ETU application for dual-site interconnection

Technical Data

Interfaces

Ethernet:
10BaseT and 100BaseTx, RJ-45 connector
G.703:

2 Mbit/s (E1), 9-pin D-sub connector
8 Mbit/s (E2), SMZ connector
34 Mbit/s (E3), SMZ connector

Throughput capacity

64-octet frames/s constant load:
E1: >3 500
E2: >14 500
E3: >59 000

Power supply

24-60 V DC nominal

Power consumption

10 W

Dimensions (HxWxD)

21x430x210 mm

Fits into any slot in an AMM

Weight

1.3 kg

Operational temperature

-5°C to +45°C

Standards

IEEE 802.3
ITU-T V.24/V.28
ITU-T G.703

All technical data is typical and is subject to change without notice

Ericsson Microwave Systems AB

Transmission Mobile Systems
SE-431 84 Mölndal, Sweden
Tel. +46 31 747 00 00
Fax. +46 31 27 72 25
www.ericsson.com

AE/LZT 712 0017 R2
© Ericsson Microwave Systems AB 2001